

Strata



bestsignsystems®

www.bestsigs.com



ADA panel sign with metallic accent header

Strata

A New Modular Architectural Signage System that Offers a Contemporary, High-Design Look for any Interior Space

The Strata curved-face sign system allows for a standardized, easily interchangeable sign system that can be integrated within the decor, styling and performance requirements of any interior environment. The wide array of sign-types, various panel sizes, graphic methods and configurations allow a great deal of flexibility while keeping the benefits of standard products.

A Pre-Engineered Solution that Provides Long-Term Quality and Consistency

As a pre-engineered rather than custom manufactured solution, the system's components, design, finish and assembly processes are managed for quality and consistency across many projects so the components or new signs you may need a year from now, are exactly the same as the ones you use today.

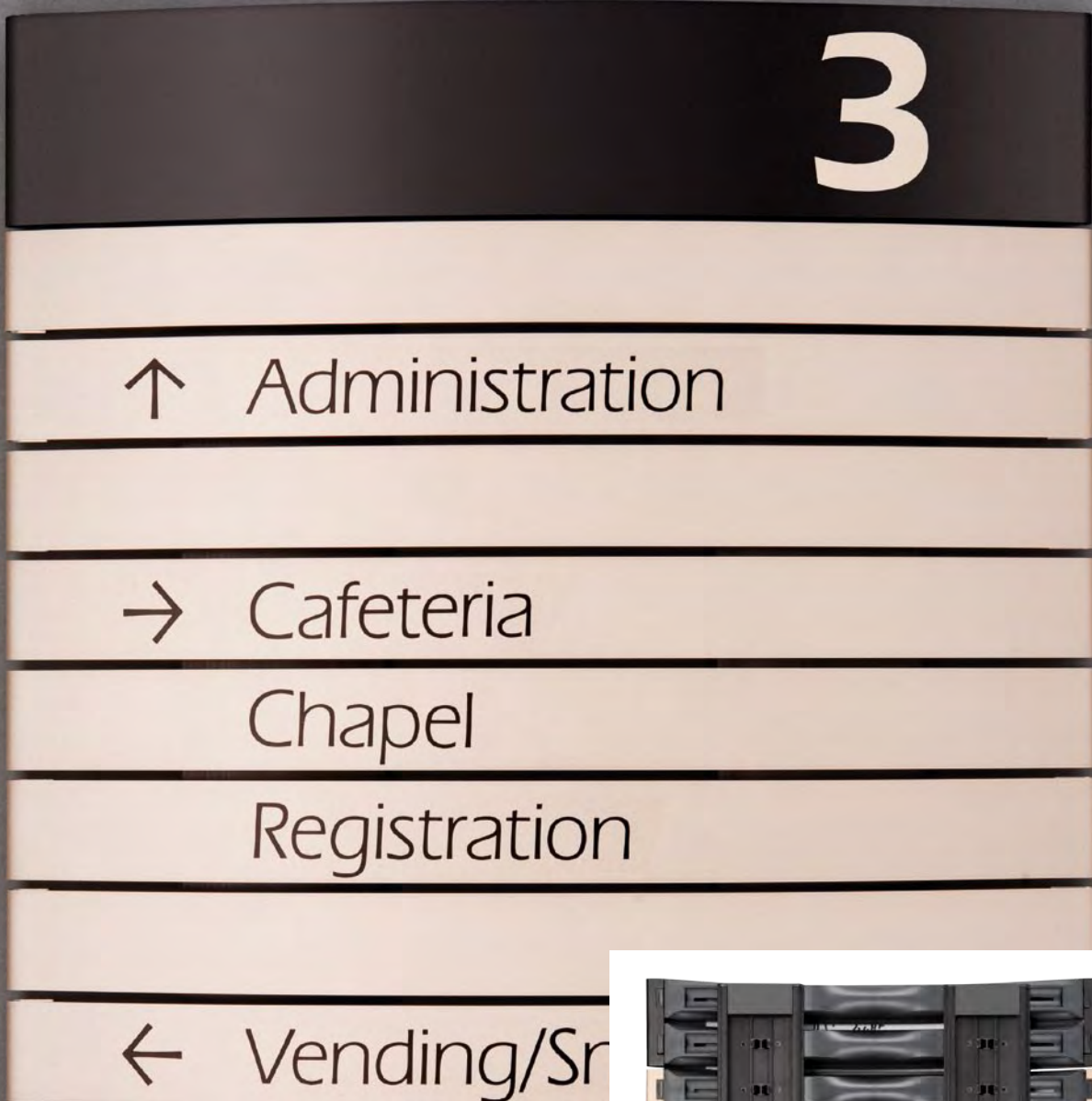
Elegant, Classic Design

The precisely engineered system reflects a classic, elegant, international style preferred by architects, marketers and designers. The timeless design complements contemporary or traditionally designed architectural spaces.

Graphic panel sign with digital graphics and metallic accent header



Directional sign



An Ideal, Compatible Solution for Replacing Existing Signage

The flexible, contemporary design and quality performance of the system makes Strata an ideal choice for any new building.

For older facilities, Strata offers an ideal alternative for replacing or updating existing signage. Strata is compatible with existing curved-face systems and widely offered through a national network of qualified signage partners throughout the United States.



Aluminium mounting rails supports and provide for precise positioning of the sign's panels. Mounting rails are available in differing lengths to accept one or more panels of varying sizes. Tops and bottoms of mounting rails are capped with injection-molded clips.

Graphic panel sign with applied vinyl graphic and wood-finish header



back of graphic panel sign featuring support structure

Panel Types

Strata panels can be finished in a variety of styles that provide a wide range of aesthetic choices and compliance with required standards.

- ADA panels with raised characters and Braille.
- Graphic panels that can be painted or finished with applied digital graphics for increased design flexibility.
- Window signs that can be updated with paper inserts.

All Strata signs can accept header panels with wood, metallic or painted finishes. The wide variety of graphic accents offers design flexibility in matching the styling of the system to the decor of each environment.



updateable window panel sign



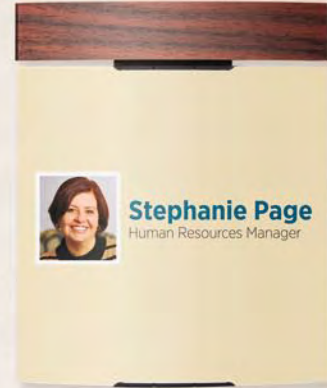
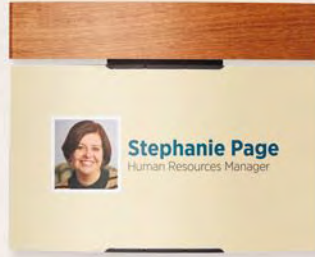
Strata - Updateable Signs

ADA and graphic panel signs may be updated by adding a modular panel that accepts paper inserts. The complete modular panel consists of a holder, updateable paper insert and a clear lens cover. Upper panel may include raised characters or graphics, and the following finish options: painted, direct-imaged (digital) or screen printed.

Window sign panels allow for client-printed, updateable inserts. Paper inserts may be printed on any sheet-fed laser printer that accepts standard 8-1/2" x 11" paper.

Updatable Window Signs

The complete modular panel consists of a holder, updateable paper insert and a clear lens cover. Upper panel may include raised characters or graphics, and the following finish options: painted, direct-imaged (digital) or screen printed.



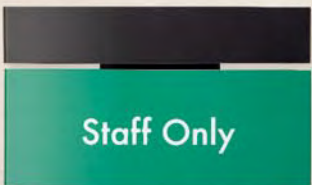
ADA Panel Signs

ADA panels include raised characters, graphics and braille and may be painted.



Graphic Panel Signs

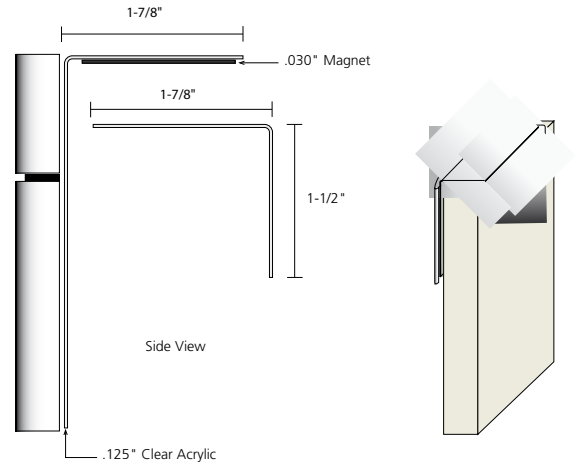
Graphic panels may be painted, direct-imaged (digital) or screen printed.





Strata Partition Mount

Strata offers a clip-on work station identification perfect for mounting to cubicle panels to complement the entire environment's solution. A magnetic, flexible mounting system provides flexibility for any size panel.



Desk Mount

Desk mounted signs include Strata modular panels and desktop stand. Typical application for desktop presentation and personal identification at welcome or staff desk.





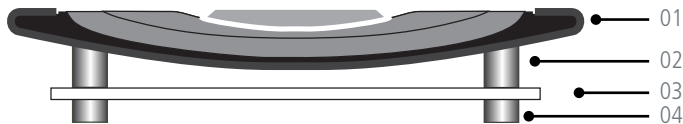
Change the appearance to complement any decor with graphic accent panels in painted, metallic and wood finishes. Refer to color standards documentation for complete range of standard and custom finish options.



Premiere Sign Family

The premier sign family uses a standard, Strata graphic panel as a base and, using satin aluminium stand-offs, holds a clear, flat graphic panel that can have vinyl graphics or raised lettering and grade 2 Braille.

12" x 12" Top View



01. Basic Strata sign, painted
02. Satin aluminium barrel
03. 1/4" acrylic graphic panel or ADA panel
First surface graphics with ADA raised characters and braille.
Second surface text for panels without raised characters and graphics.
04. Satin aluminium cap

bestsignsystems[®]

1202 N. Park Avenue
Montrose, CO 81401-3171
www.bestsigns.com
info@bestsigns.com

tel. 970-249-BEST (2378)
tel. 800-235-BEST (2378)
fax. 970-249-0223